

## Fresh/Waste Water Support Cart

CC2WSC

Virtually every food and beverage operation needs a supporting cast — and that's where our line of versatile support carts come in handy.

### Standard Features:

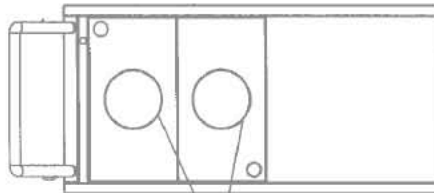
- Stainless steel push bar
- 6 in casters (2 swivel w/side brakes, 2 rigid)
- Locking pump and hose storage
- 30-gallon fresh water tank
- 30-gallon waste water tank
- 120-volt fresh water pump
- 120-volt waste water pump
- Quick disconnect fill and drain
- Fill hose
- Meets NSF and UL standards
- Base electrical: 120 volts, 15 amps



*Fresh/Waste Water Support Cart shown.*

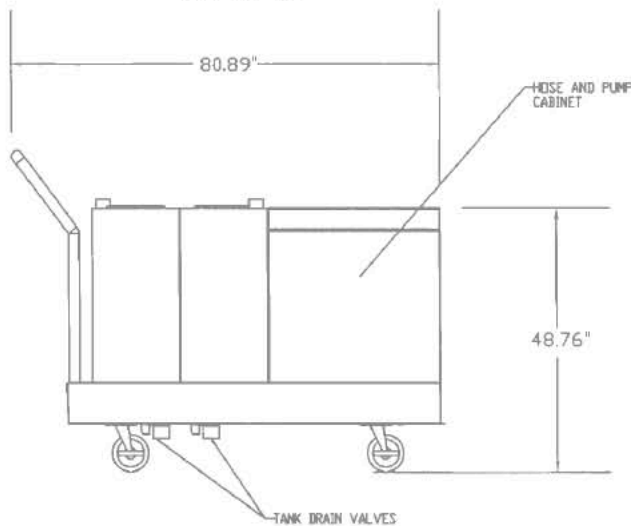
# Fresh/Waste Water Support Cart

CC2WSC

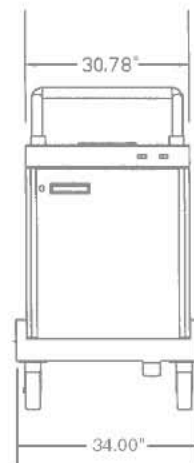


8" ACCESS HATCH  
FOR CLEANING

TOP VIEW



OPERATOR'S SIDE VIEW



RIGHT END VIEW

NOTE: Actual power to be determined by equipment/options.

The dimensions given are reference dimensions only. Critical dimensions should be brought to the attention of the salesperson. Due to a continuous program of product improvement, Carts of Colorado reserves the right to make product changes without notice.

Installation of electrical at site not included. Buyouts provided by others do not include electrical outlets unless specified on drawing. Electrical of over 120 volts/20 amps does not include cord or cap.

This document contains information that is confidential and proprietary to Carts of Colorado and shall not be reproduced or transferred to other documents or disclosed to others or used for any purpose other than that for which it was obtained without the expressed written consent of Carts of Colorado.

It is recommended that local building, health and zoning codes be researched prior to ordering. Due to a continuous program of product improvement, Carts of Colorado reserves the right to make changes in design and in specifications without notice.



5420 S. Quebec St.  
Suite 204  
Greenwood Village, CO 80111  
(303) 329-0101  
(800) 227-8634  
Fax: (303) 329-6577  
[www.cartsofcolorado.com](http://www.cartsofcolorado.com)  
[sales@cartsfcolorado.com](mailto:sales@cartsfcolorado.com)